



This drawing is the property of Reynaers, is reserved by them and the drawing is issued on the condition that it is not copied, reproduced, retained or disclosed to any unauthorised person either wholly or in part, without consent from Reynaers. This drawing is indicative only and Reynaers is not responsible for the accuracy of any information contained therein.

CF 77

Concept Folding® 77

**GENERAL
PRODUCT DETAIL**

THRESHOLD:
Level 2 Threshold

PANEL(S):
6 Panel

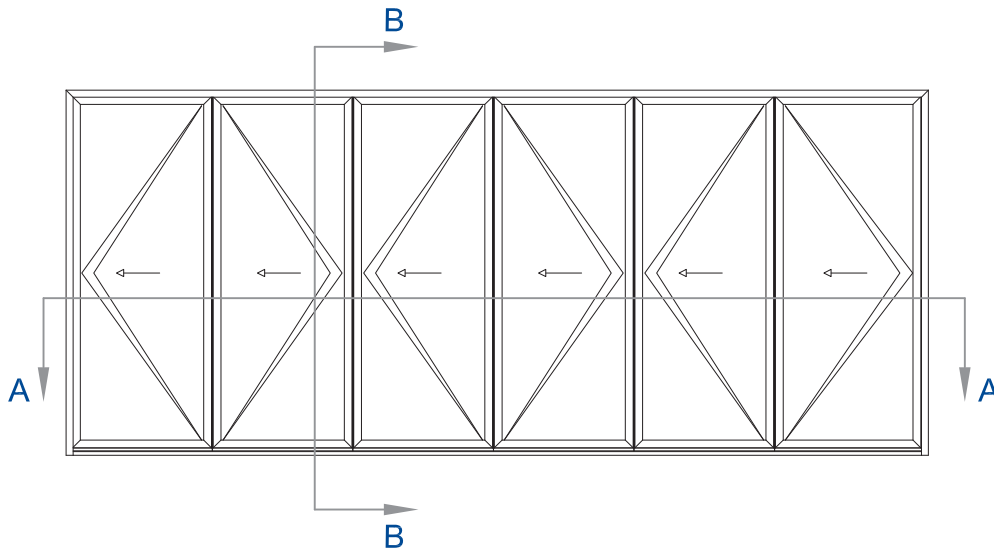
OPENING CONFIGURATION:
6-0 | Open In

OTHER:
N/A

REVISION NO. - DATE
1 | 2017JUN01

SHEET NAME:
**Folding Door
Level 2 Threshold
6 Panel | 6-0 - Open In**

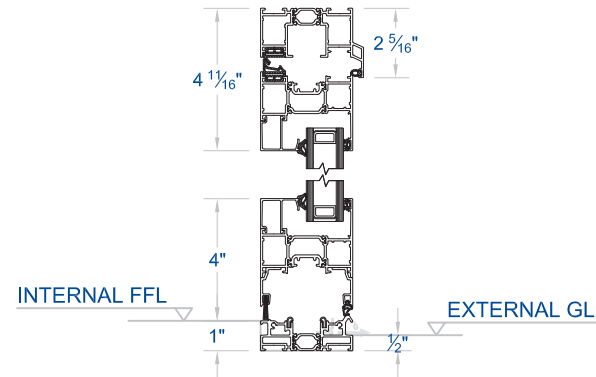
DRAWING NO.
CF77 | 161A



EXTERIOR ELEVATION

SCALE: N.T.S

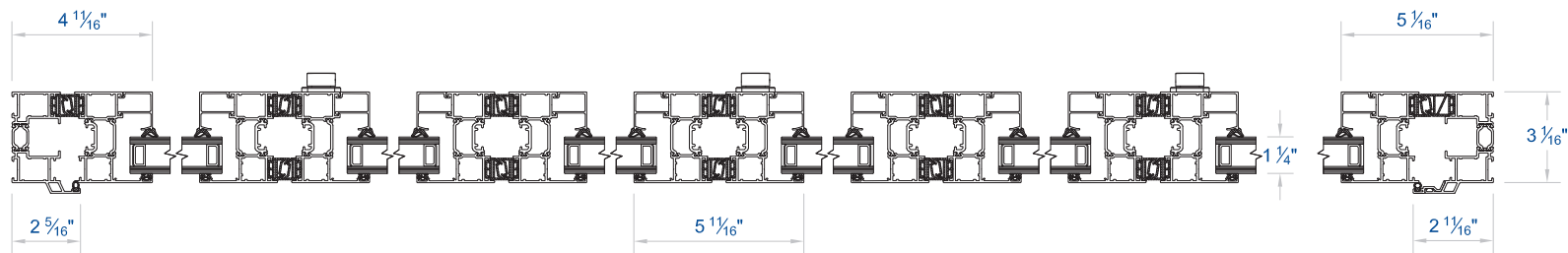
1



SECTION B-B: HEAD / SILL

SCALE: N.T.S

3



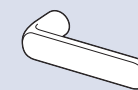
SECTION A-A: JAMBS

SCALE: N.T.S

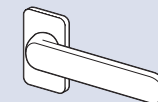
2

Folding Door | Level 2 Threshold - 6 Panel | 6-0 - Open In

PURITY HARDWARE



Design



Design Flat