



This drawing is the property of Reynaers, is reserved by them and the drawing is issued on the condition that it is not copied, reproduced, retained or disclosed to any unauthorised person either wholly or in part, without consent from Reynaers. This drawing is indicative only and Reynaers is not responsible for the accuracy of any information contained therein.

**CF 77**

Concept Folding® 77

**GENERAL  
PRODUCT DETAIL**

THRESHOLD:  
**Level 2 Threshold**

PANEL(S):  
**6 Panel**

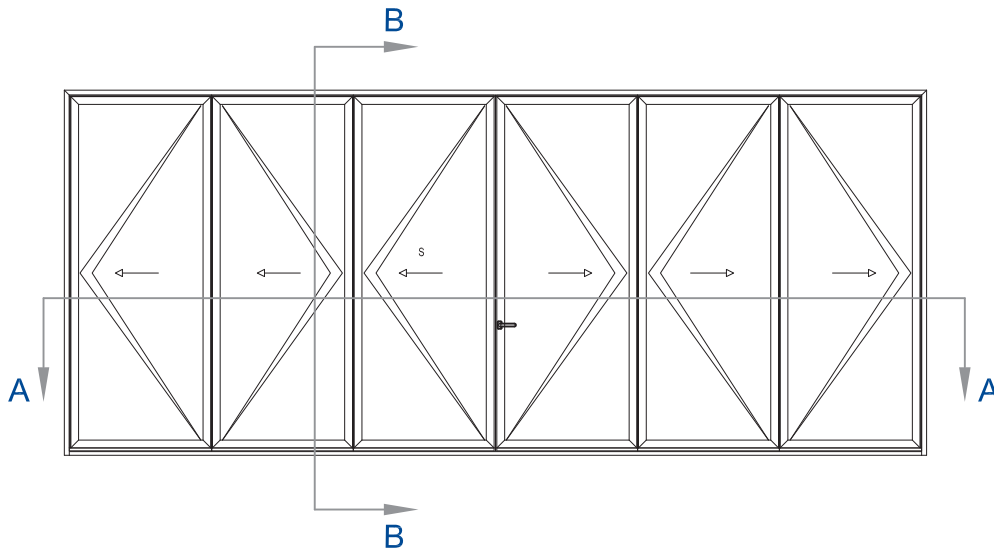
OPENING CONFIGURATION:  
**3-3 | Open Out**

OTHER:  
**N/A**

REVISION NO. - DATE  
**1 | 2017JUN01**

SHEET NAME:  
**Folding Door  
Level 2 Threshold  
6 Panel | 3-3 - Open Out**

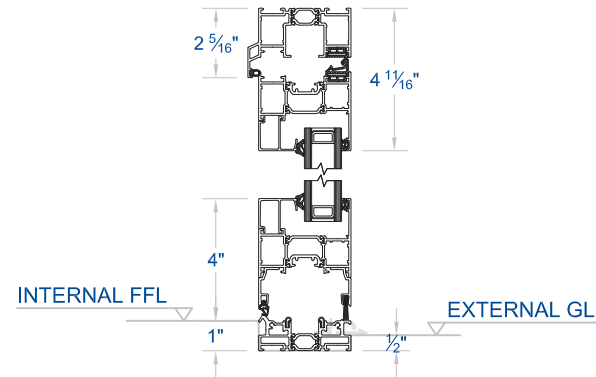
DRAWING NO.  
**CF77 | 164B**



**EXTERIOR ELEVATION**

SCALE: N.T.S

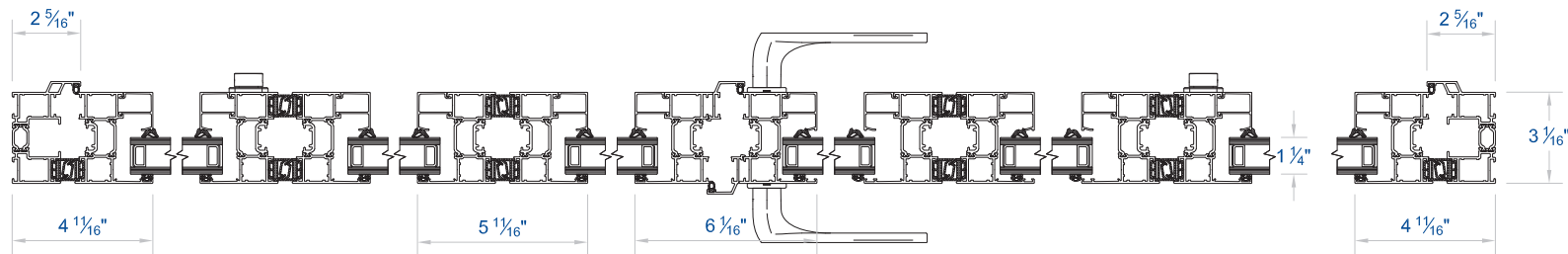
1



**SECTION B-B: HEAD / SILL**

SCALE: N.T.S

3



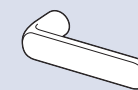
**SECTION A-A: JAMBS**

SCALE: N.T.S

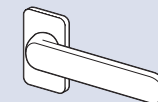
2

**Folding Door | Level 2 Threshold - 6 Panel | 3-3 - Open Out**

PURITY HARDWARE



Design



Design Flat