



This drawing is the property of Reynaers, is reserved by them and the drawing is issued on the condition that it is not copied, reproduced, retained or disclosed to any unauthorised person either wholly or in part, without consent from Reynaers. This drawing is indicative only and Reynaers is not responsible for the accuracy of any information contained therein.

CP 155-LS

Concept Patio® 155 Lift-Slide

**GENERAL
PRODUCT DETAIL**

THRESHOLD:
Standard Threshold

PANEL(S):
4 Panel

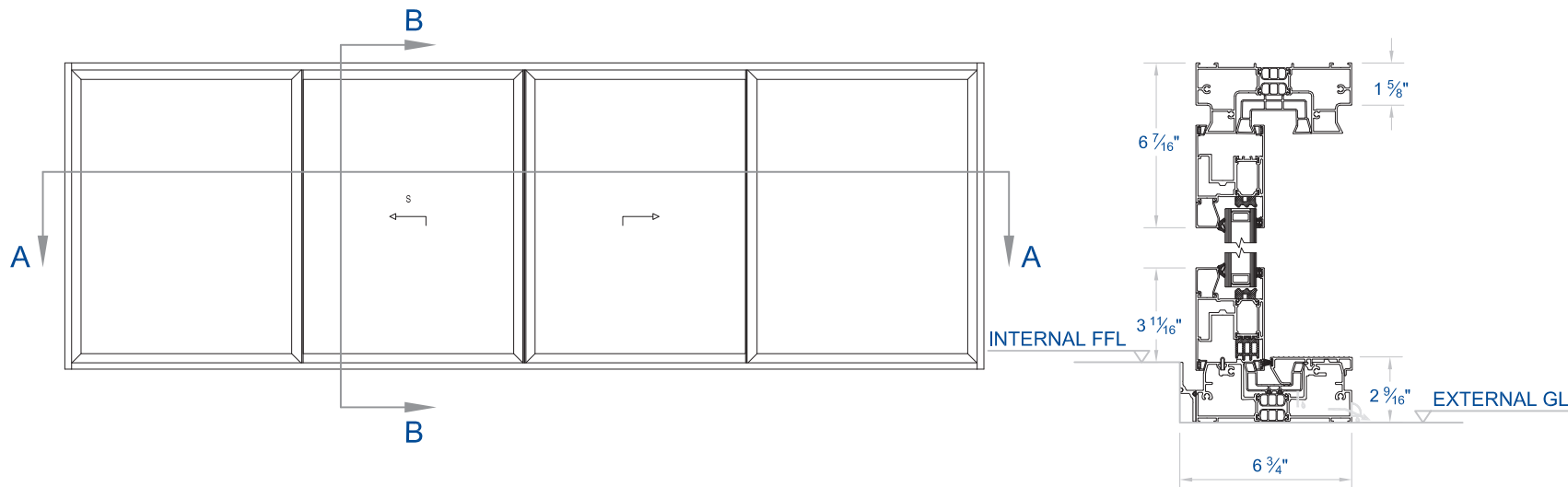
OPENING CONFIGURATION:
OXXO

FRAME:
2 Rail

REVISION NO. - DATE
1 | 2017JUN01

SHEET NAME:
**Lift & Slide Door
Standard Threshold
4 Panel | OXXO - 2 Rail**

DRAWING NO.
CP155-LS | 141



EXTERIOR ELEVATION

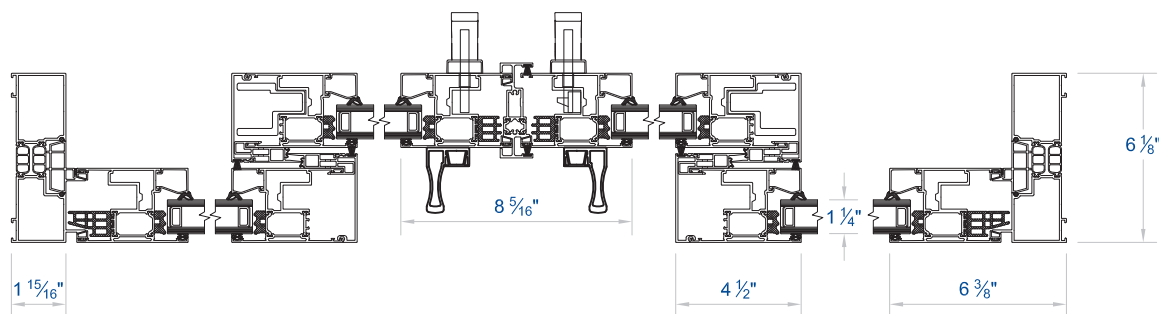
SCALE: N.T.S

1

SECTION B-B: HEAD / SILL

SCALE: N.T.S

3



SECTION A-A: JAMBS

SCALE: N.T.S

2

Lift & Slide Door | Standard Threshold - 4 Panel | OXXO - 2 Rail

PURITY HARDWARE



Design