



This drawing is the property of Reynaers, is reserved by them and the drawing is issued on the condition that it is not copied, reproduced, retained or disclosed to any unauthorised person either wholly or in part, without consent from Reynaers. This drawing is indicative only and Reynaers is not responsible for the accuracy of any information contained therein.

CP 155-LS

Concept Patio® 155 Lift-Slide

**GENERAL
PRODUCT DETAIL**

THRESHOLD:
Flush Threshold

PANEL(S):
4 Panel

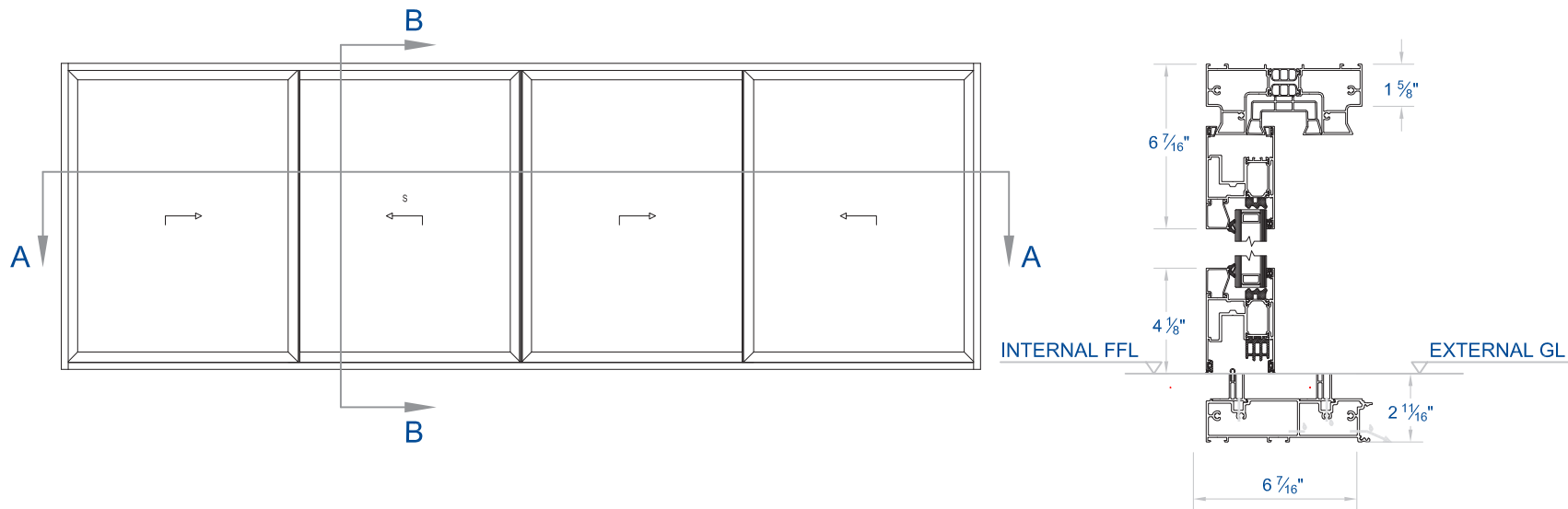
OPENING CONFIGURATION:
XXXX

FRAME:
2 Rail

REVISION NO. - DATE
1 | 2017DEC15

SHEET NAME:
**Lift & Slide Door
Flush Threshold
4 Panel | XXXX - 2 Rail**

DRAWING NO.
CP155-LS | 242



EXTERIOR ELEVATION

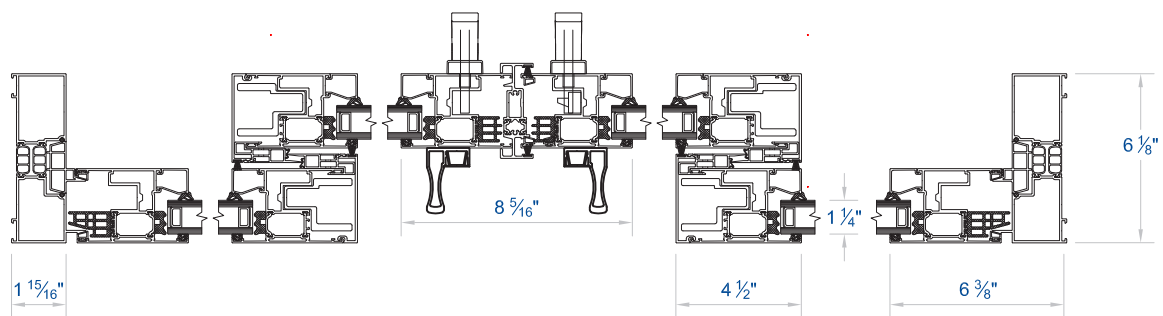
SCALE: N.T.S

1

SECTION B-B: HEAD / SILL

SCALE: N.T.S

3



SECTION A-A: JAMBS

SCALE: N.T.S

2

Lift & Slide Door | Flush Threshold - 4 Panel | XXXX - 2 Rail

PURITY HARDWARE



Design