

PRODUCT TYPE  
**SWING DOOR**



**R**  
**REYNAERS**  
aluminium

This drawing is the property of Reynaers, is reserved by them and the drawing is issued on the condition that it is not copied, reproduced, retained or disclosed to any unauthorised person either wholly or in part, without consent from Reynaers. This drawing is indicative only and Reynaers is not responsible for the accuracy of any information contained therein.

**CS 77**

Concept System® 77

**GENERAL  
PRODUCT DETAIL**

THRESHOLD:  
**Standard Threshold**

PANEL(S):  
**Double Panel**

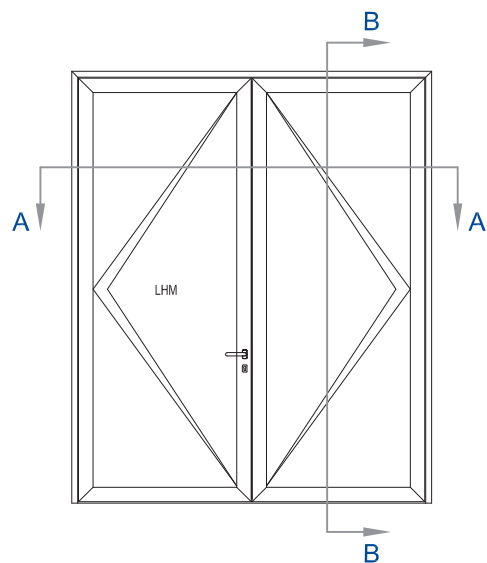
OPENING CONFIGURATION:  
**Swing | Open Out**

OTHER:  
**N/A**

REVISION NO. - DATE  
**1 | 2017JUN01**

SHEET NAME:  
**Swing Door | Double Panel  
Open Out**

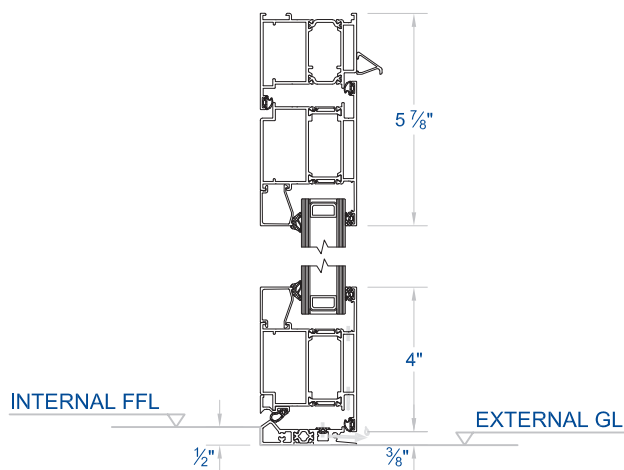
DRAWING NO.  
**CS 77 | 121B**



**EXTERIOR ELEVATION**

SCALE: N.T.S

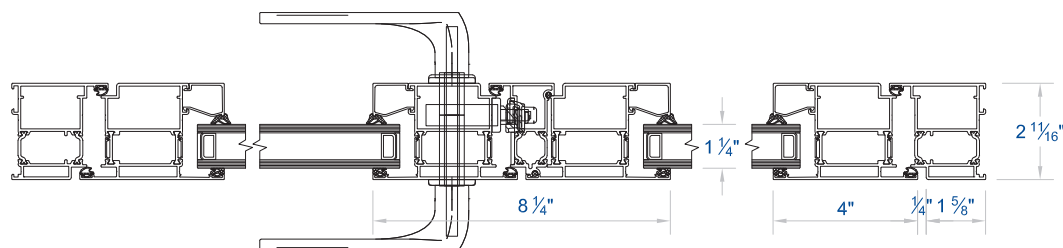
1



**SECTION B-B: HEAD / SILL**

SCALE: N.T.S

3



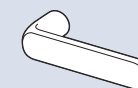
**SECTION A-A: JAMBS**

SCALE: N.T.S

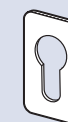
2

**Swing Door | Double Panel | Open Out**

PURITY HARDWARE



Design



Cylinder Cover