



This drawing is the property of Reynaers, is reserved by them and the drawing is issued on the condition that it is not copied, reproduced, retained or disclosed to any unauthorised person either wholly or in part, without consent from Reynaers. This drawing is indicative only and Reynaers is not responsible for the accuracy of any information contained therein.

CS 77

Concept System® 77

**GENERAL
PRODUCT DETAIL**

THRESHOLD:
Standard Threshold

PANEL(S):
Single Panel

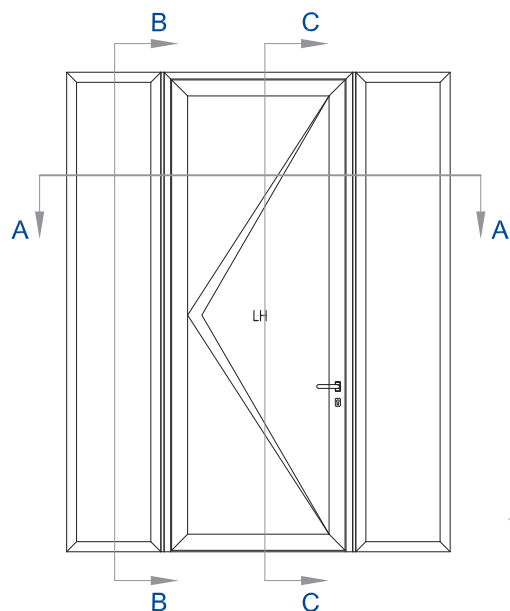
OPENING CONFIGURATION:
Swing | Open Out

OTHER:
N/A

REVISION NO. - DATE
1 | 2017JUN01

SHEET NAME:
**Swing Door | Single Panel
Dual Sidelights
Open Out**

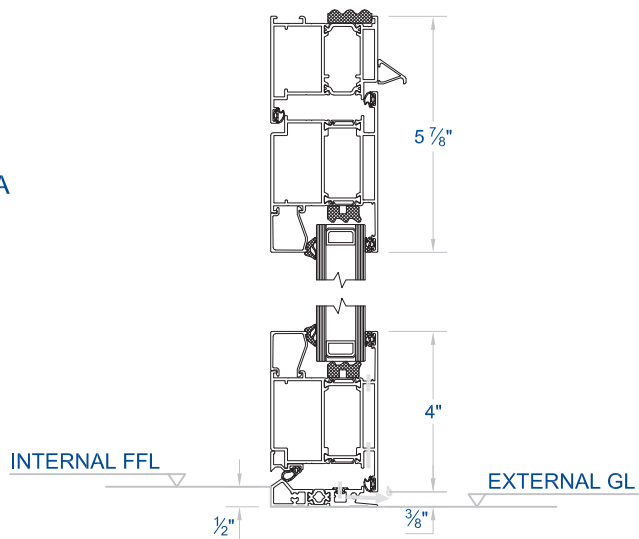
DRAWING NO.
CS 77 | 212B



EXTERIOR ELEVATION

SCALE: N.T.S

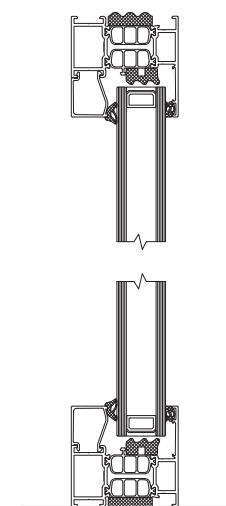
1



SECTION B-B: HEAD / SILL

SCALE: N.T.S

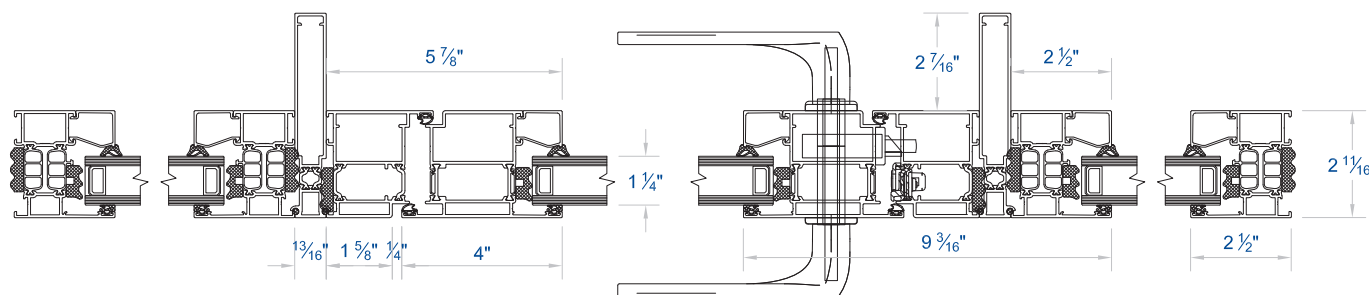
3



SECTION C-C: HEAD / SILL

SCALE: N.T.S

4



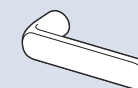
SECTION A-A: JAMBS

SCALE: N.T.S

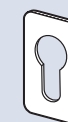
2

Swing Door | Single Panel w/Dual Sidelights | Open Out

PURITY HARDWARE



Design



Cylinder Cover