



This drawing is the property of Reynaers, is reserved by them and the drawing is issued on the condition that it is not copied, reproduced, retained or disclosed to any unauthorised person either wholly or in part, without consent from Reynaers. This drawing is indicative only and Reynaers is not responsible for the accuracy of any information contained therein.

**CS 77**

Concept System® 77

**GENERAL  
PRODUCT DETAIL**

THRESHOLD:  
**Standard Threshold**

PANEL(S):  
**Single Panel**

OPENING CONFIGURATION:  
**Swing | Open In**

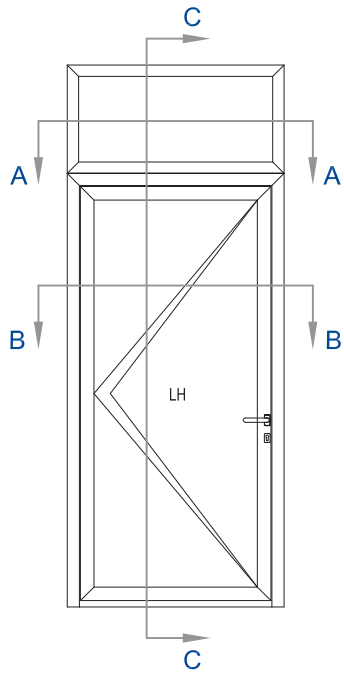
OTHER:  
**N/A**

REVISION NO. - DATE  
**1 | 2017JUN01**

SHEET NAME:  
**Swing Door | Single Panel  
Transom  
Open In**

DRAWING NO.

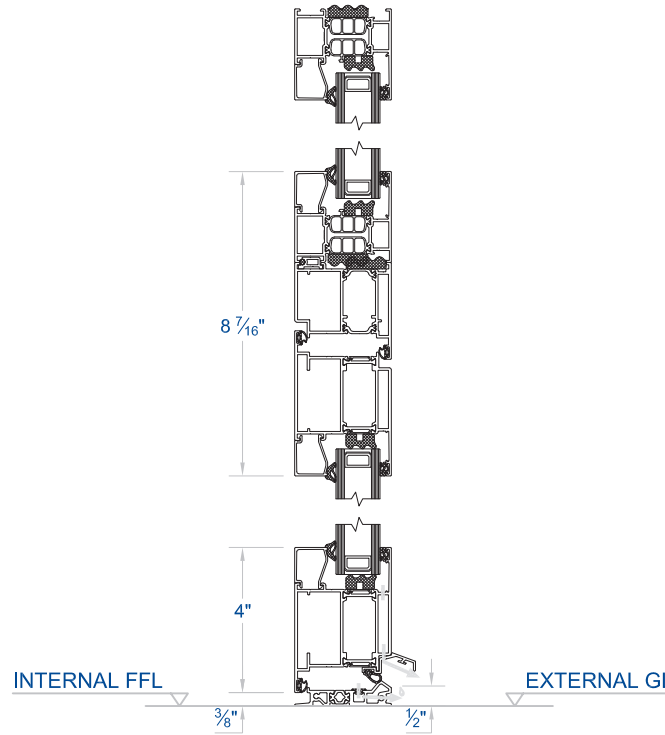
**CS 77 | 213A**



**EXTERIOR ELEVATION**

SCALE: N.T.S

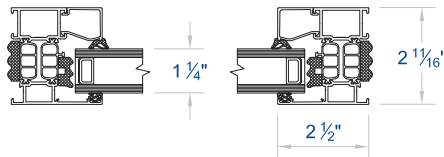
1



**SECTION C-C: HEAD / SILL**

SCALE: N.T.S

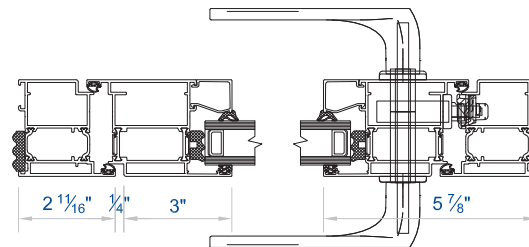
3



**SECTION A-A: JAMBS**

SCALE: N.T.S

2



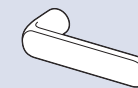
**SECTION B-B: JAMBS**

SCALE: N.T.S

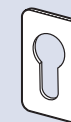
4

**Swing Door | Single Panel w/Transom | Open In**

PURITY HARDWARE



Design



Cylinder Cover