

PRODUCT TYPE
SWING DOOR



R

REYNAERS
aluminium

This drawing is the property of Reynaers, is reserved by them and the drawing is issued on the condition that it is not copied, reproduced, retained or disclosed to any unauthorised person either wholly or in part, without consent from Reynaers. This drawing is indicative only and Reynaers is not responsible for the accuracy of any information contained therein.

CS 77

Concept System® 77

**GENERAL
PRODUCT DETAIL**

THRESHOLD:
Standard Threshold

PANEL(S):
Double Panel

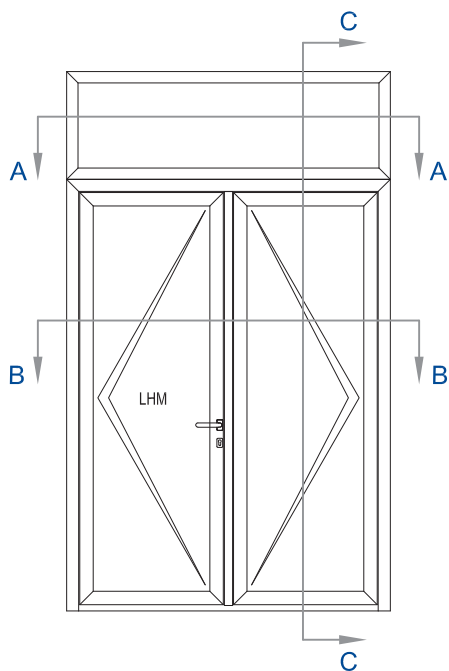
OPENING CONFIGURATION:
Swing | Open In

OTHER:
N/A

REVISION NO. - DATE
1 | 2017JUN01

SHEET NAME:
**Swing Door | Double Panel
Transom
Open In**

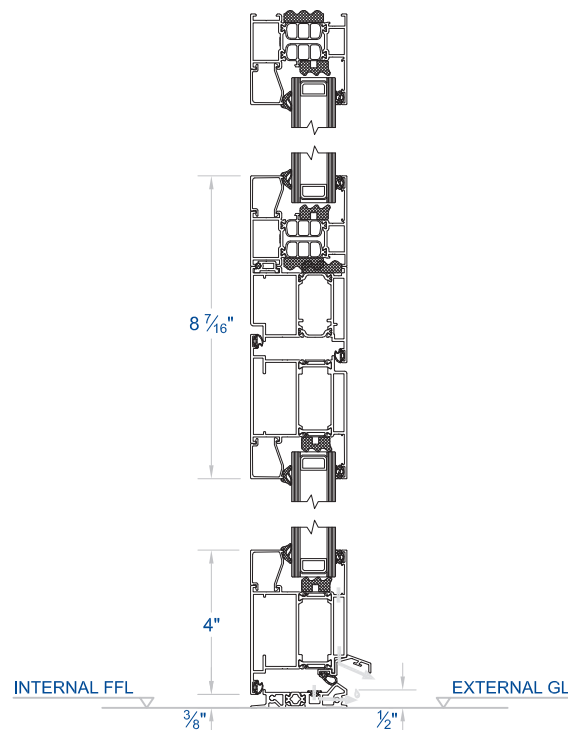
DRAWING NO.
CS 77 | 223A



EXTERIOR ELEVATION

SCALE: N.T.S

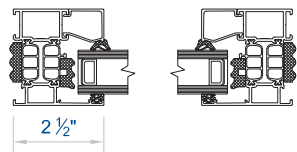
1



SECTION C-C: HEAD / SILL

SCALE: N.T.S

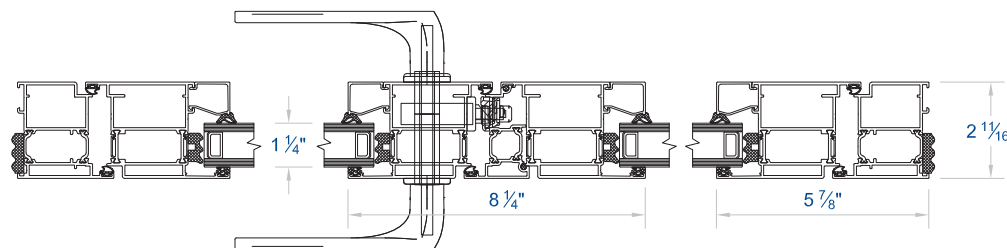
3



SECTION A-A: JAMBS

SCALE: N.T.S

2



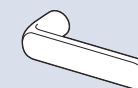
SECTION B-B: JAMBS

SCALE: N.T.S

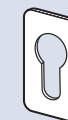
4

Swing Door | Double Panel w/Transom | Open In

PURITY HARDWARE



Design



Cylinder Cover