

This drawing is the property of Reynaers, is reserved by them and the drawing is issued on the condition that it is not copied, reproduced, retained or disclosed to any unauthorised person either wholly or in part, without consent from Reynaers. This drawing is indicative only and Reynaers is not responsible for the accuracy of any information contained therein.

**SL 38**  
Slim Line 38

**GENERAL  
PRODUCT DETAIL**

VENT PROFILE:  
**Classic Small**

PANEL(S) - OPERATION:  
**Single Panel**

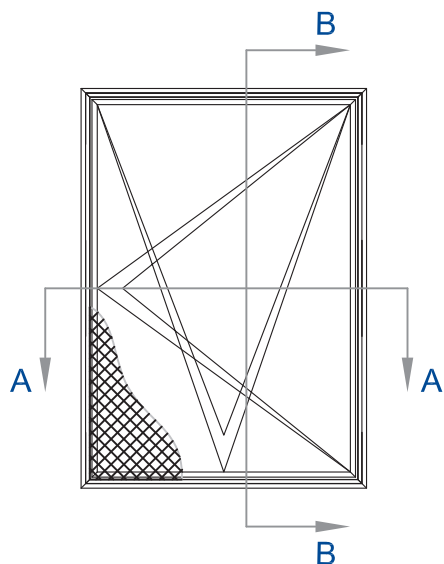
OPENING CONFIGURATION:  
**Tilt-Turn - Open In**

OTHER:  
**N/A**

REVISION NO. - DATE  
**1 | 2017JUN01**

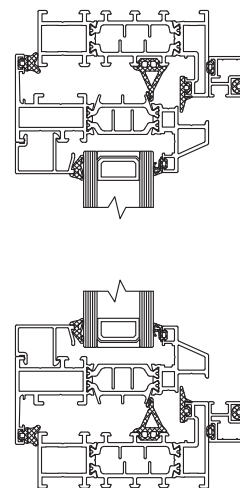
SHEET NAME:  
**Operable Window  
Classic Small Vent - Single Panel  
Tilt-Turn - Open In**

DRAWING NO.  
**SL 38 | 312A**



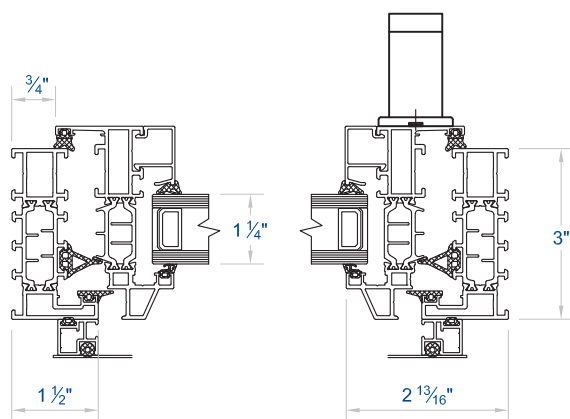
**EXTERIOR ELEVATION**  
SCALE: N.T.S

1



**SECTION B-B: HEAD / SILL**  
SCALE: N.T.S

3

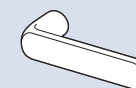


**SECTION A-A: JAMBS**  
SCALE: N.T.S

2

**Operable Window | Classic Small Vent - Single Panel | Tilt-Turn - Open In**

PURITY HARDWARE



Design