

This drawing is the property of Reynaers, is reserved by them and the drawing is issued on the condition that it is not copied, reproduced, retained or disclosed to any unauthorised person either wholly or in part, without consent from Reynaers. This drawing is indicative only and Reynaers is not responsible for the accuracy of any information contained therein.

**SL 38**

Slim Line 38

**GENERAL  
PRODUCT DETAIL**

VENT PROFILE:  
**Cubic**

PANEL(S) - OPERATION:  
**2 Panel**

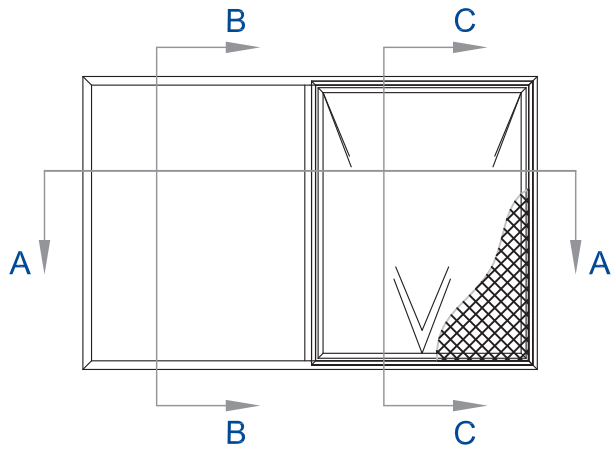
OPENING CONFIGURATION:  
**Hopper - Open In**

OTHER:  
**N/A**

REVISION NO. - DATE  
**1 | 2017DEC15**

SHEET NAME:  
**Combo Window  
Cubic Vent - 2 Panel  
Fixed - Hopper - Open In**

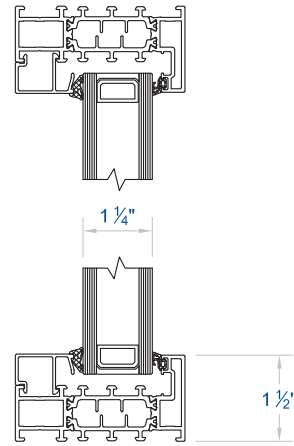
DRAWING NO.  
**SL 38 | 624A**



**EXTERIOR ELEVATION**

SCALE: N.T.S

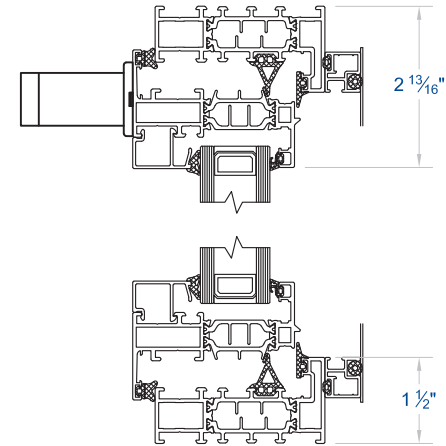
1



**SECTION B-B: HEAD / SILL**

SCALE: N.T.S

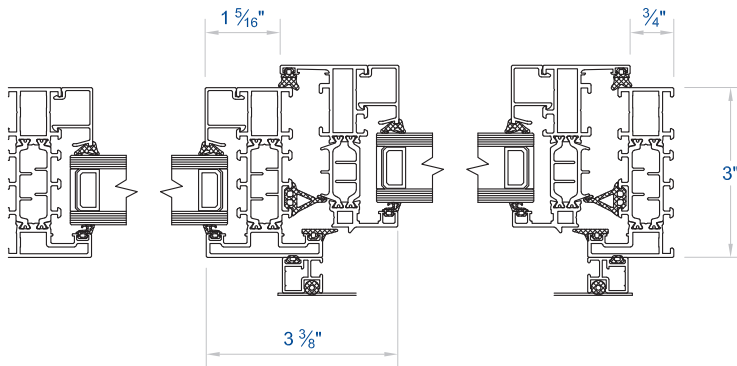
3



**SECTION C-C: HEAD / SILL**

SCALE: N.T.S

4



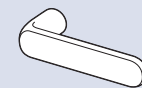
**SECTION A-A: JAMBS**

SCALE: N.T.S

2

**Combo Window | Cubic Vent - 2 Panel | Fixed - Hopper - Open In**

PURITY HARDWARE



Design